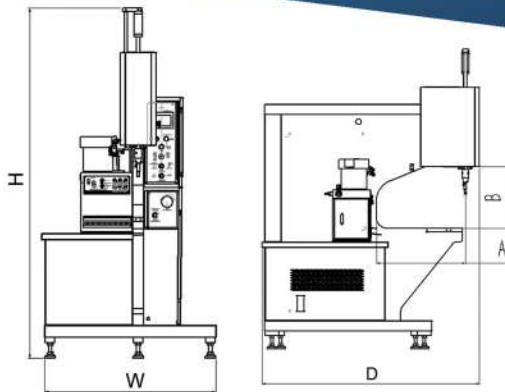


# SPECIFICATION

Force range	1349LBS(6KN) to 17535(78KN)
Max riveting capacity	M12 nut M10 stud M6 standoff (carbon steel)
Throat depth	510mm
Throat height	400mm
Stroke	200mm
Main power	3KW
Current	8A
Hydraulic oil	46#/32#
Oil tank reservoir	60L
Air pressure	0.4-0.6Mpa
Package size(W*D*H)	1160*940*2070mm
Weight	650KG



Dimensions  
Width: 1160mm  
Depth: 940mm  
Higt: 2070mm



**Dongguan Inserter Machinery Co.,Ltd.**

Address: No.80Yunhexiyi Road, Dongcheng Street, Dongguan City, Guangdong, China

WhatsApp&Phone: +86-139-1756-4315

Tel: +86-512-50339036

market@insertermachine.com

www.insertermachine.com

2022.13 version

The Most Cost Effective, Energy Saving  
Affordable All in **Inserter®**.....

# 820

**Inserter® PLUS**

Fastener Insertion  
Equipment



**JOINT WORLDWIDE**  
Inserter Machinery Co.,Ltd.



820Plus 8 ton (78KN) ram force and 20"(510mm)throat depth with ,double pump 100mm/s equipped with PLC control system and safety system.

## Standard

### A: Positive Stop System

The Positive Stop System provides an easily adjustable method of precisely maintaining the stopping point of the machine cylinder. The system is particularly well suited for improving uniformity on soft, delicate work pieces. It is also effective when inserting small hardware. In addition to aluminum, the system also provides excellent insertion results on a wide variety of softer materials such as fiberglass, printed circuit boards, and many plastic or composite materials.

### B: Batch Counter/ Stroke Adjustment



**Workpiece Counter:** The Batch Counter counts the number of completed workpieces by counting up "1" each time. Once fastening, the counter counts once. This is to track the total number of fastening products to facilitate the use of the equipment.

**Setting the number of press riveting on a single workpiece.**

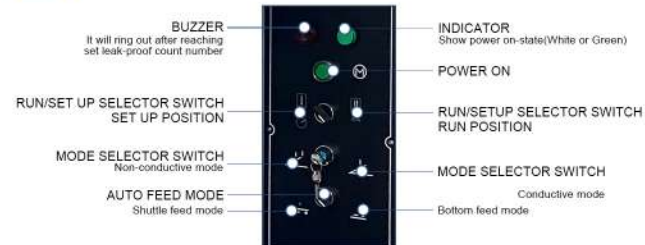
**Batch Counter:** The Batch Counter Beeper sounds each time the operator that all the pieces of hardware have been inserted into the 'workpiece'.

### C: 100% Safety System

SAFE AND RELIABLE - Security system of Fastener Insertion Machine make the operator to full protection on the conductive non-conductive work mode, which greatly enhanced the confidence and plug efficiency for the operator. No security risks.



### D: Control Panel



### F: Energy Save Dual Pump

Lower noise, prevent oil temperature from being too high. High ram force repeat accuracy, faster approach stroke and insertion stroke than single pump. ECO energy save mode, without any insertion action, the pump will shut down automatically after 10 minutes.



## E: Easy Operation

Proprietary stress test adjustment button, allowing you to find the right riveting pressure within 10 seconds the novice can easily operate.



**Pressure /Force Adjustment Control:**  
Turn clockwise to increase the pressure, counterclockwise to decrease

**Pressure Gauge/ Force Indicator**

## Most popular options

### TIS-Turret Insertion System

Multiple manual insertion system turret complete with 4 boxes that match with different anvil.



### Standard Modular Autofeed System(MAS)

-Including high quality vibration bowl and intelligent digital variable voltage and variable frequency Piezoelectric vibration feeder controller.  
-The Modular Autofeed System can feed nuts, studs and standoffs.

### MSTP - Manual Tooling Package

[MSTP-33(Metric), ISTP-35/49(Imperial)]

Including 31pcs/33pcs/47pcs manual tools, 1 J-frame and 1 fixing base, suitable for most size fastener insertion.



J-Frame & fixing base realized insertion after bending, allowing you to bend easier.



Standard: Double Side Trunk Base

## Standard Automatic Tooling System (optional)

### ① Shuttle nut tooling system



### ② Automatic bottom feed tooling



### ③ ABFT with part clearance



### ④ Shuttle stud tooling system



### ⑤ Shuttle standoff tooling system



## Special Automatic Tooling System

1. S-M10-0,1,2/S-M12-0,1,2
2. FH-M10
3. B/BS-M3,B/BS-M4,B/BS-M5
4. F-M5/0.32-2
5. PF-M3,PF-M4,PF-M5,PF-M6
6. TPS-M6
7. KS-M3,KS-M4,KS-M5
8. Rivet nut -M6